

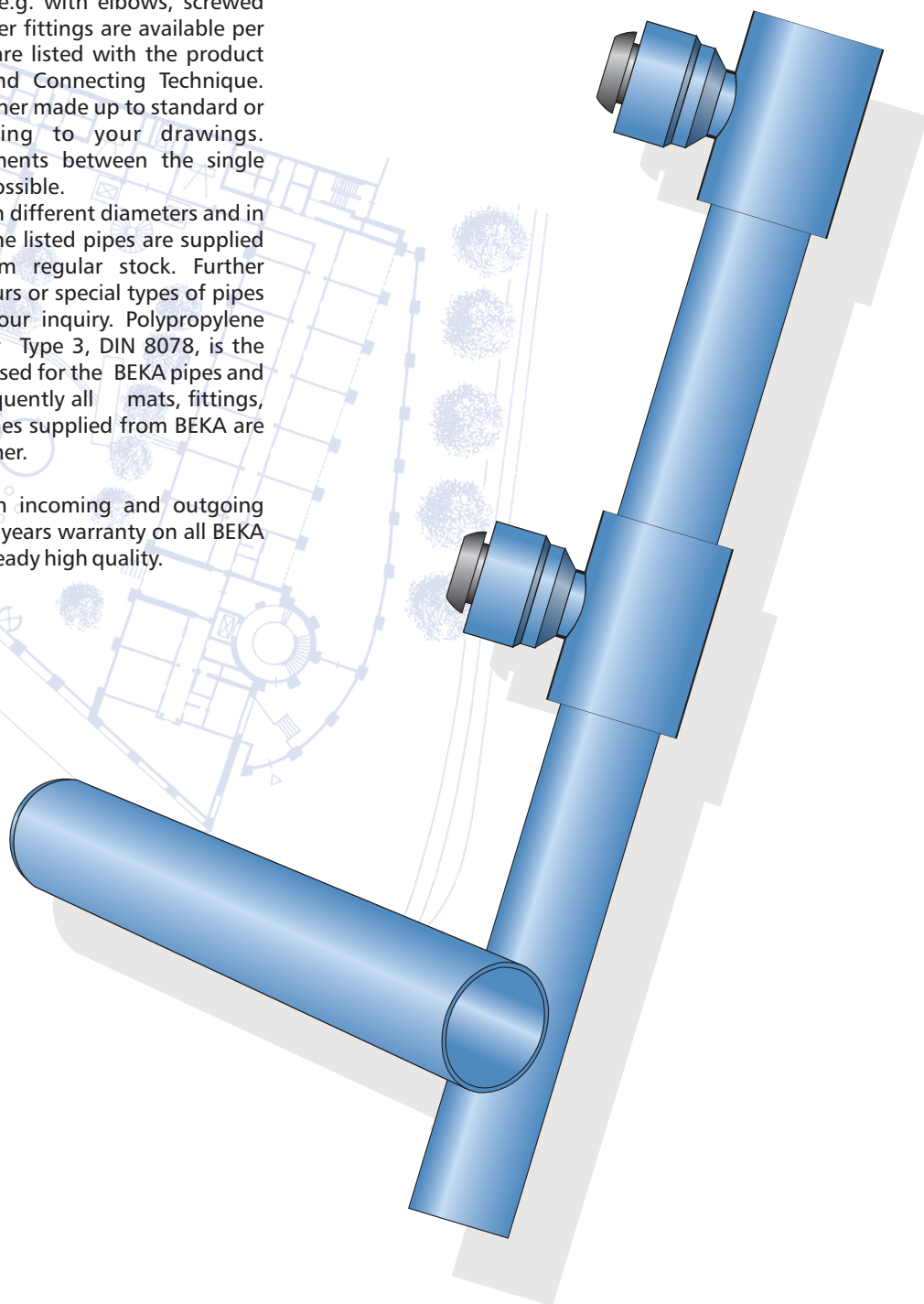
Pipes and Supply Lines from BEKA At all times the right choice

BEKA pipes and supply lines are available in different variations and diameters. Also customer designs e.g. with elbows, screwed connectors and other fittings are available per your inquiry. They are listed with the product groups "Fittings and Connecting Technique. Supply lines" are either made up to standard or accurately according to your drawings. Different measurements between the single outlets are always possible.

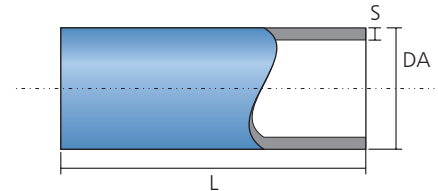
Pipes are available in different diameters and in different colours. The listed pipes are supplied in short term from regular stock. Further diameters and colours or special types of pipes are available per your inquiry. Polypropylene Random Copolymer Type 3, DIN 8078, is the exclusive material used for the BEKA pipes and supply lines. Consequently all mats, fittings, pipes and supply lines supplied from BEKA are weldable to each other.

Regular controls on incoming and outgoing goods as well as 15 years warranty on all BEKA products secure a steady high quality.

15 years
warranty



R.R		BEKA Pipes	
Material	Polypropylene Random Copolymer Type 3, DIN 8078		
Main assortment	Ø Pipe (DA)	Wall thickness (S)	
	20 mm	2,0 mm	
	25 mm	2,3 mm	
Length (L)	4000 mm		



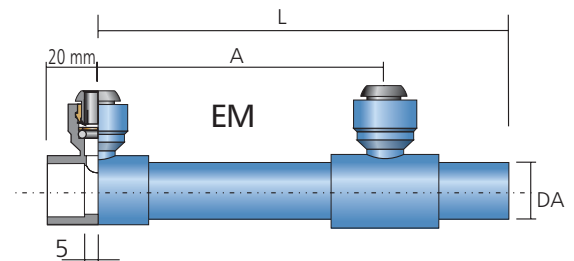
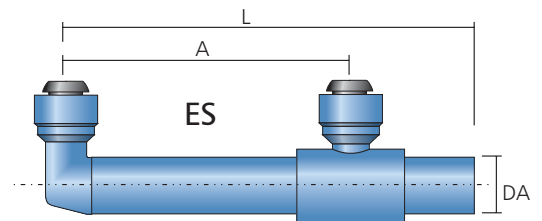
Ordering example:

PP Pipe, length 4000mm diameter 20 x 2mm:

R.R.4000.20

Other diameters, as Fiber composite pipe, are available per your inquiry. The hue cannot correspond to the standard blue as of DA32 mm.

Z.ES · Z.EM		Supply Lines, single	
Material	Polypropylene Random Copolymer Type 3, DIN 8078		
Diameter (DA)	20 mm		
Length (L)	max. 5000 mm (other lengths on request)		
Distance outlets (A)	min. 50 mm		
Description	Supply line with single outlets and quick-action couplings		
Variation	Z.ES, Supply line, single with elbow outlet Z.EM, Supply line, single with welding sleeve		



Ordering example:

Supply Line single with welding sleeve, length 5000mm,
5 outlets, distance between the outlets 700mm:

Z.EM.5000.0700.05

Other dimensions and special versions are available per your inquiry.

Deviations of the illustration are possible.