

For a safe connection: Pipes and supply lines from BEKA

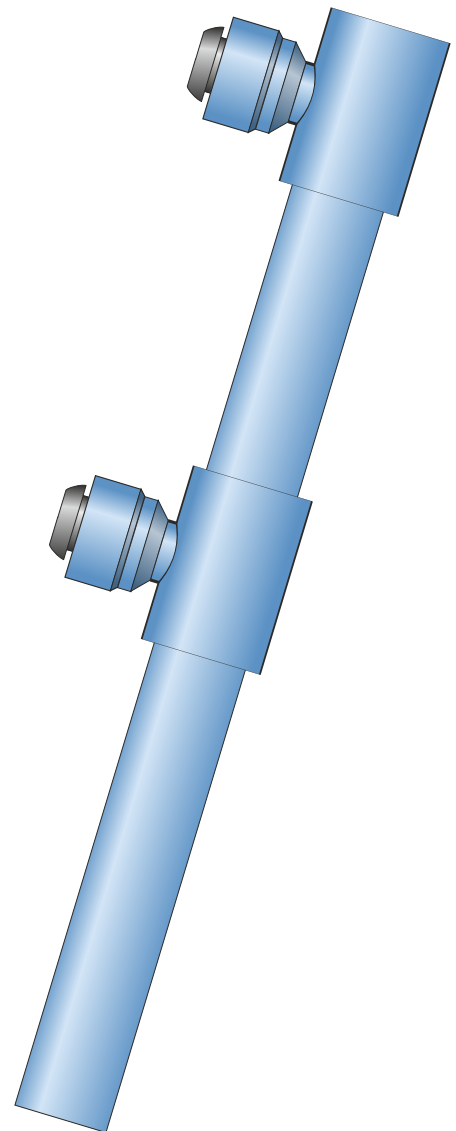
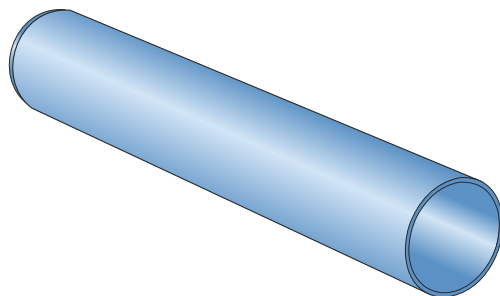
BEKA pipes and supply lines are available in different variants and diameters. Custom-made designs, e.g. with elbows, screwed connectors and other fittings are also available. Supply lines are either made up to standard or accurately according to your drawings. Different measurements between the single outlets are possible.

Pipes are available in different diameters and in different colors. The pipes listed are supplied in short term from regular stock. Please contact us for special diameters and colors.

As material for BEKA pipes and supply lines only Polypropylene Random Copolymer Type 3, DIN 8078 is used. Therefore, all BEKA mats, fittings and supply lines can be welded to each other easily.

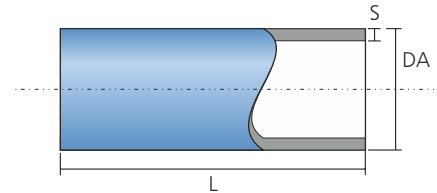
You will find further accessories in the product groups fittings (F) and connection technique (A).

Regular incoming and outgoing goods inspections as well as a 15 year warranty on all BEKA products ensure the constant high quality.



R.R | BEKA Pipes

Material	Polypropylene Random Copolymer Type 3, DIN 8078	
Main assortment	\varnothing Pipe (DA) 20 mm 25 mm	Wall thickness (S) 2,0 mm 2,3 mm
Length (L)	4000 mm	



Ordering example:

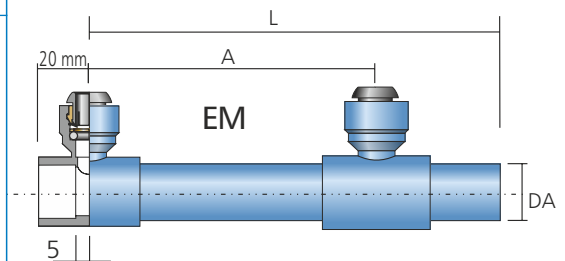
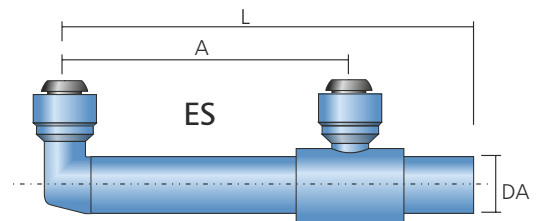
PP Pipe, length 4000mm diameter 20 x 2mm: R.R.4000.20

Other diameters, also as fiber composite pipe, are available on request.

From DA 32 mm, the color shade may differ from the standard blue. .

Z.ES · Z.EM | Supply Lines

Material	Polypropylene Random Copolymer Type 3, DIN 8078	
Diameter (D) Length (L)	20 mm max. 5000 mm (other lengths on request)	
Distance outlets (A)	min. 50 mm	
Description	Supply line with single outlets and quick-action couplings	
Variation		
EM	Supply line, single with welding sleeve	
ES	Supply line, single with elbow outlet	



Ordering example:

Supply Line single with welding sleeve, length 5000mm, 5 outlets, distance between the outlets 700mm:

Other dimensions and special versions are available on request.