

For a safe connection: Connection technology form BEKA

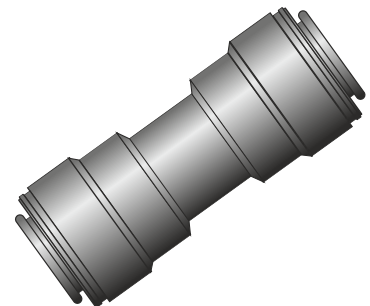
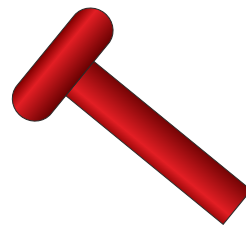
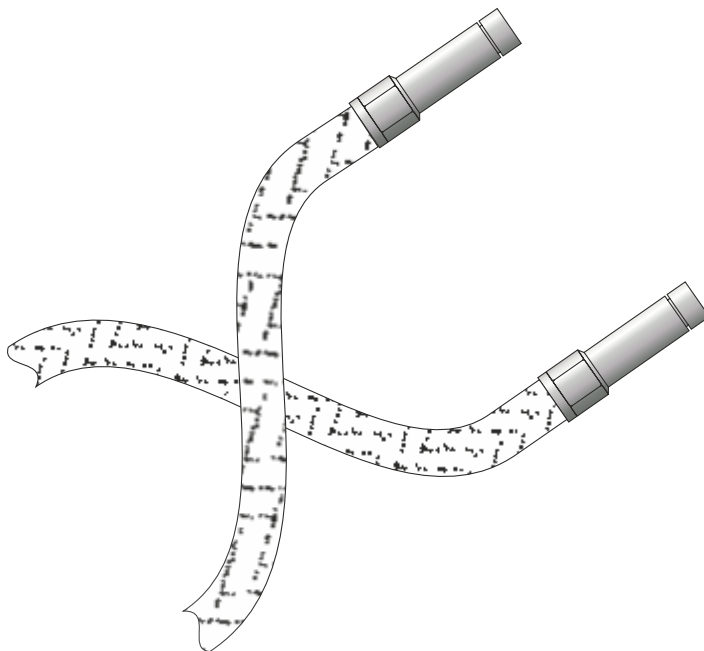
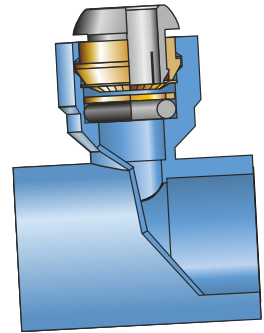
The BEKA connection technology includes all accessories to connect BEKA mats and supply lines via quick action couplings.

This type of connection permits a safe and quick installation that can be disassembled at any time without damaging the parts.

All metal parts are made of non-corrosive material.

As material for BEKA plastic connectors only Polypropylene Random Copolymer Type 3, DIN 8078 is used. Therefore, all BEKA mats, fittings and supply lines can be welded to each other easily.

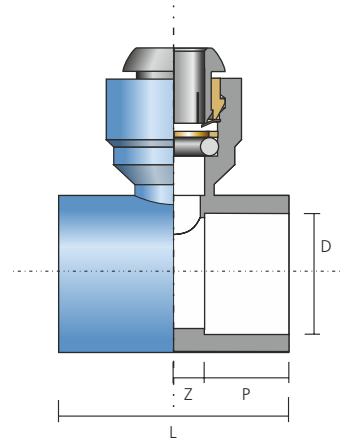
Regular incoming and outgoing goods inspections as well as a 15 year warranty on all BEKA products ensure the constant high quality.



A.M.20 | Sleeve Outlet

Material	Polypropylene Random-Copolymerisat, Type 3, DIN 8078
Diameter (D) Length (L) Design dimension (Z) Welding depth (P)	20 mm 38 mm 5 mm 14 mm
Description	Sleeve outlet 20mm with quick-action coupling 10mm

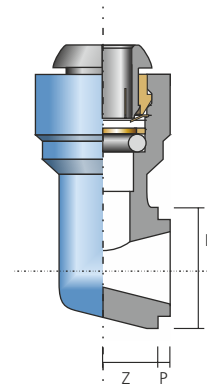
Ordering example:
Sleeve outlet 20 mm: A.M.20



A.W.20 | Elbow outlet

Material	Polypropylene Random-Copolymerisat, Type 3, DIN 8078
Diameter (D) Design dimension (Z) Welding depth (P)	20 mm 9 mm 2 mm
Description	Elbow outlet for BEKA hoses/pipes 10 mm

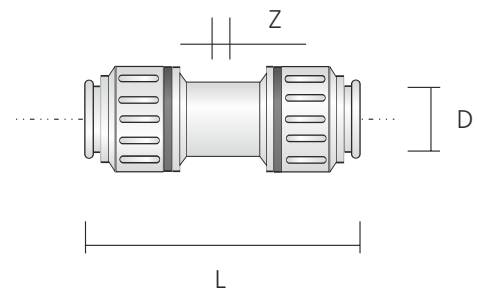
Ordering example:
Elbow outlet 20mm: A.W.20



A.V.10 | Plug-in connector

Material	Plastic, Claw: stainless
Diameter (D) Length (L) Design dimension (Z)	10 mm 42 mm 1 mm
Description	Plug-in connector for flexible hoses

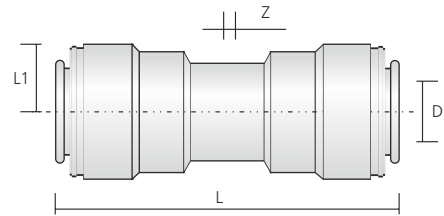
Ordering example:
Plug-in connector 10mm: A.V.10



A.V.20 | Plug-in connector white

Material	Plastic, Claw: stainless
Diameter (D) Length (L) Length (L1) Design dimension (Z) Insertion depth (P)	20 mm 100 mm 20 mm 1 mm 39 mm
Description	Plug-in connector for PP-Pipes with diameter 20 mm

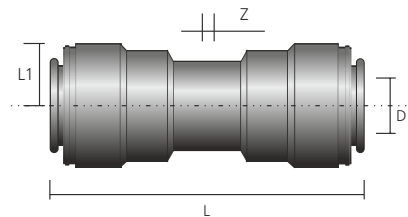
Ordering example:
Plug-in connector white 20 mm: A.V.20



A.V.20.S | Plug-in connector black

Material	Plastic, Claw: stainless
Diameter (D) Length (L) Length (L1) design dimension (Z) Insertion depth (P)	20 mm 67 mm 17 mm 1 mm 33 mm
Description	Plug-in connector for PP-Pipes with diameter 20 mm

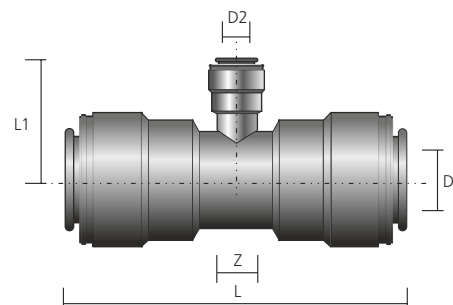
Ordering example:
Plug-in connector black 20 mm: A.V.20.S



A.TV.20.10 | Plug-in T-connector, reduced

Material	Plastic, Claw: stainless
Diameter (D) Diameter (D2) Length (L) Length (L1) Design dimension (Z)	20 mm 10 mm 78 mm 32 mm 13 mm
Description	Plug-in T-connector 20 mm, with reduced outlet for diameter 10 mm

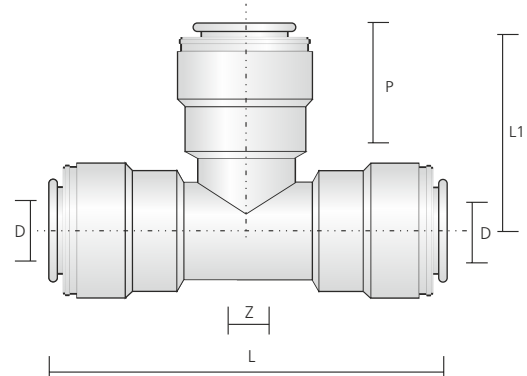
Ordering example:
Plug-in T-connector 20mm, reduced to 10 mm: A.TV.20.10



A.TV.20 | Plug-in T-connector

Material	Plastic, Claw: stainless
Diameter (D) Length (L) Length (L1) Design dimension (Z) Insertion depth (P)	20 mm 117 mm 60 mm 23 mm 39 mm
Description	Plug-in T-connector for Diameter 20 mm

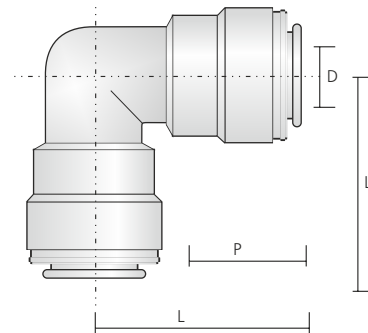
Ordering example:
Plug-in T-connector, 20 mm: A.TV.20



A.WV.20 | Plug-in connector, Elbow (white)

Material	Plastic, Claw: stainless
Diameter (D) Length (L) Insertion depth (P)	20 mm 58 mm 39 mm
Description	Plug-in connector Elbow for diameter 20 mm

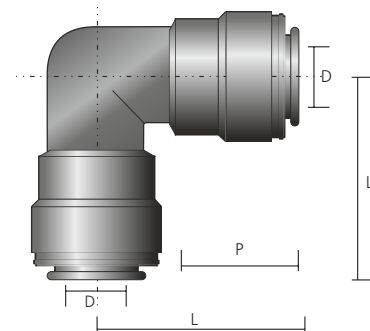
Ordering example:
Plug-in connector Elbow (white) 20 mm: A.WV.20



A.WV.20.S | Plug-in connector, Elbow (black)

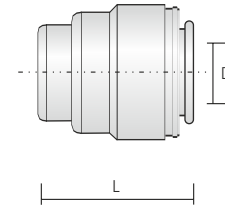
Material	Plastic, Claw: stainless
Diameter (D) Length (L) Insertion depth (P)	20 mm 44 mm 33 mm
Description	Plug-in connector Elbow for diameter 20 mm

Ordering example:
Plug-in connector, Elbow (black) 20 mm: A.WV.20.S



A.EE.20 | Plug-in connector, End-Cap

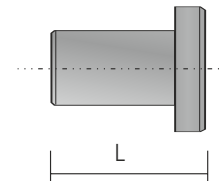
Material	Plastic, Claw: stainless
Diameter (D) Length (L) Insertion depth (P)	20 mm 38 mm 28 mm
Description	Plug-in connector end-cap fordiameter 20 mm



Ordering example:
Plug-in connector 20 mm: A.EE.20

A.STS.20 | Plug-in, Support Sleeve

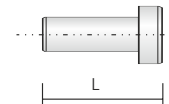
Material	Plastic
Length (L)	28 mm
Description	Support Sleeve for diameter 20 mm



Ordering example:
Support Sleeve for Pipes with 20 mm diameter: A.STS.20

A.STS.10 | Plug-in, Support Sleeve

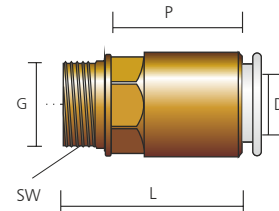
Material	Plastic
Length (L)	17 mm
Description	Support Sleeve for diameter 10 mm



Ordering example
Support Sleeve for Pipe with 10 mm diameter: A.STS.10

A.AGV.20 | Plug-in connector/Screw Connector 20 x 3/4" external thread, brass

Material	Brass, Plastic, Claw: stainless
Diameter (D) Length (L) Insertion depth (P) Thread spanner-width (SW)	20 mm 50 mm 35 mm 3/4" external 32 mm
Description	plug-in connector for 20mm diameter with 3/4" external thread



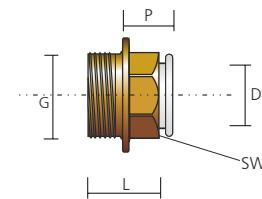
Ordering example:

Plug-in connector 20 mm with 3/4" external thread: A.AGV.20

Other forms of plug-in connectors are available on request.

A.AGV.10 | Plug-in connector/Crew connector 10 x 1/2" external thread, Brass

Material	Brass, Plastic, Claw: stainless
Diameter (D) Length (L) Insertion depth (P) Thread (G) spanner-width (SW)	10 mm 22 mm 20 mm 1/2" 20 mm
Description	Plug-in connector for 10mm diameter with 1/2" external thread



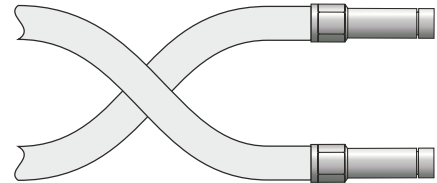
Ordering example:

Plug-in connector 10 mm with 1/2" E.T. : A.AGV.10

Other forms of plug-in connectors are available on request.

A.S | Connection hose for quick-action couplings, stainless steel

Material	Hose: EPDM Outer material: Stainless-steel Press tube: Stainless steel Grommet: Brass nickel-plated
Diameter (D) Length (L)	10 mm 300 x 500 x 800 x 1200 mm
Description	Flexible connection hose for quick-action couplings 10 mm

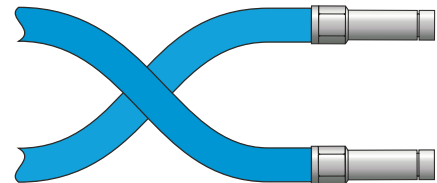


Ordering example:

Flexible connection hose, stainless steel, Length 300 mm; Diameter 10 mm: A.S.300.10

A.SN | Connection hose for quick-action couplings, Nylon

Material	Hose: EPDM Outer material: Nylon-Gewebe Press tube: Stainless steel Grommet: Brass nickel-plated
Diameter (D) Length (L)	10 mm 300 x 500 x 800 x 1200 mm
Description	Flexible connection hose for quick-action couplings 10 mm



Ordering example:

Flexible connection hose, Nylon, Length 300 mm; Diameter 10 mm: A.SN.300.10

Flexible hoses in other lengths and connection forms are available on request.

A.BS.10 | Sealing-Plug-in

Material	Plastic
Diameter	10 mm
Description	Sealing Plug-in for quick-action couplings 10 mm



Ordering example:

Sealing Plug-in diameter 10 mm: A.BS.10