

For a safe connection: Fittings von BEKA

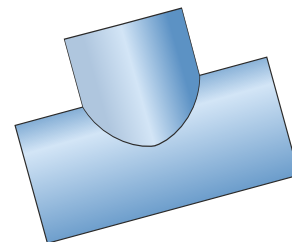
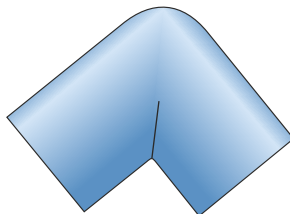
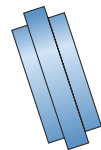
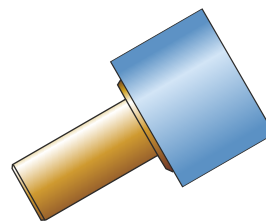
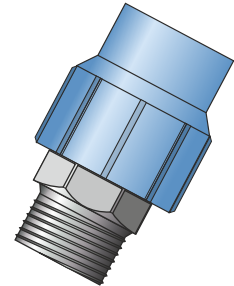
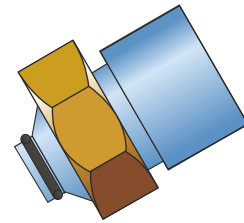
BEKA keeps an extensive range of fittings available. The assortment includes fittings for sleeve and butt welding as well as screw connectors and plug-in connectors.

BEKA fittings are available in different diameters and different colors. The listed products are supplied in short term from regular stock. Please contact us for special fittings as well as for further diameters and colors.

As material for BEKA plastic fittings only Polypropylene Random Copolymer Type 3, DIN 8078 is used. Therefore, all BEKA mats, fittings and supply lines can be welded to each other easily.

The metal fittings are all made of stainless steel.

Regular incoming and outgoing goods inspections as well as a 15 year warranty on all BEKA products ensure the constant high quality.



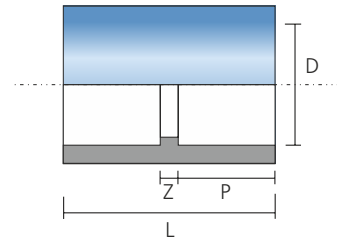
F.M | Sleeve

Material	Polypropylene Random Copolymer, Typ 3, DIN 8078
Diameter (D) Length (L) Design-dimension (Z) Welding depth (P)	20 mm 35 mm 3 mm 16 mm
Description:	Welding sleeve for the connection of pipes or heating and cooling

Ordering example:
Sleeve 20 mm: F.M.20

Other PP form parts are available on request.

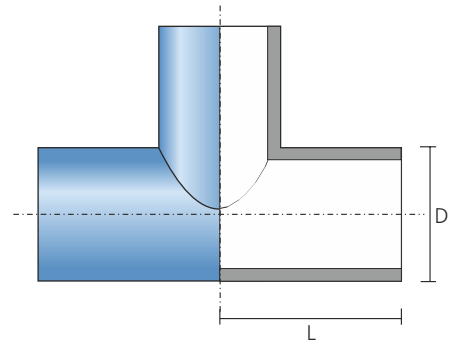
From DA 25 mm, the color shade may differ from the standard blue.



F.TS | T-Connector for Butt-Welding

Material	Polypropylene Random Copolymer Type 3, DIN 8078
Diameter (D) Length (L)	20 mm 30 mm
Description:	T-Connector for butt-weld connections of pipes or capillary tube mats

Ordering example:
T-Connector for butt welding 20 mm: F.TS.20



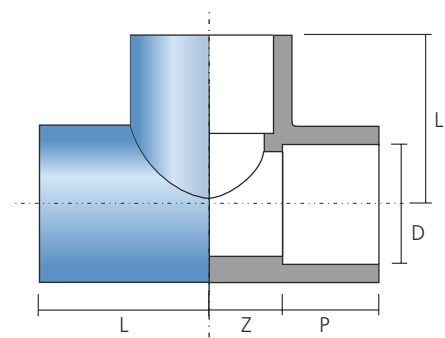
F.T | T-Connector for Sleeve-Welding

Material	Polypropylene Random Copolymer, Type 3, DIN 8078
Diameter (D) Length (L) Design dimension (Z) Welding depth (P)	20 mm 27 mm 11 mm 16 mm
Description	T-Connector for sleeve-weld connections of pipes or capillary tube mats

Ordering example:
T-Connector 20mm: F.T.20

From DA 25 mm, the color shade may differ from the standard blue.

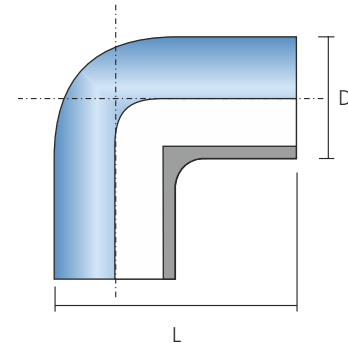
Other PP form parts are available on request.



F.WS90 | Elbow 90° for Butt-Welding

Material	Polypropylene Random Copolymer Type 3, DIN 8078
Diameter (D) Length (L)	20 mm 40 mm
Description	Elbow for butt-weld connections of pipes or capillary tube mats

Ordering example:
Elbow for butt welding: F.WS90.20

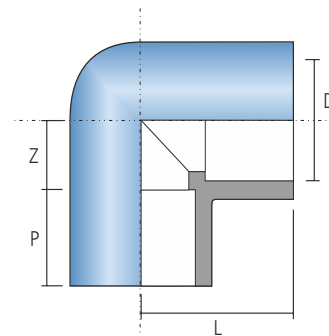


F.W90 | Elbow 90° for Sleeve-Welding

Material	Polypropylene Random Copolymer, Type 3, DIN 8078
Diameter (D) Length (L) Design dimension (Z) Welding depth (P)	20 mm 27 mm 11 mm 16 mm
Description:	Elbow for sleeve-welding connections of pipes or capillary tube mats

Ordering example:
Elbow 90° 20mm: F.W90.20

From DA 25 mm, the color shade may differ from the standard blue.
Other PP form parts are available on request.



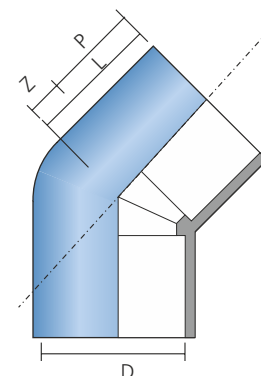
F.W45 | Elbow 45° for Sleeve-Welding

Material	Polypropylene Random Copolymer, Type 3, DIN 8078
Diameter (D) Length (L) Design dimensions (Z) Welding depth (P)	20 mm 22 mm 4 mm 18 mm
Description	Elbow for sleeve-welded connections of pipes or capillary tube mats

Ordering example:
Elbow 45° 20mm: F.W45.20

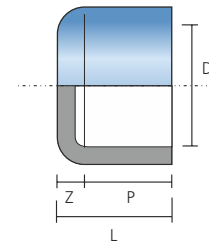
From DA 25 mm, the color shade may differ from the standard blue.

Other PP form parts are available on request.



F.EM | End Cap for Sleeve-Welding

Material	Polypropylene Random Copolymer, Type 3, DIN 8078
Diameter (D) Length (L) Design dimension (Z) Welding depth (P)	20 mm 19 mm 5 mm 14 mm
Description	End cap for sleeve welding for locking pipes

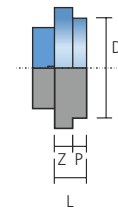


Ordering example:
End Cap 20mm: F.EM.20

Other PP form parts are available on request.
From DA 25 mm, the color shade may differ from the standard blue.

F.EIG | End Cap for Inner-Sleeve-Welding with handle

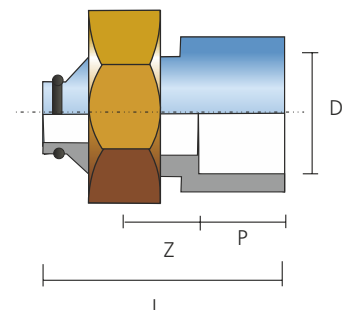
Material	Polypropylene Random Copolymer Type 3, DIN 8078
Diameter (D) Length (L) Design dimension (Z) Welding depth (P)	20 mm 8 mm 4 mm 2 mm
Description	End cap for inner-sleeve-welding for locking pipes or capillary tube mats



Ordering example :
End Cap for inner-sleeve-welding 20 mm: F.EIG.20

F.EK.20 | Euro Cone Transition 20 x 3/4"

Material	Polypropylene Random Copolymer Type 3, DIN 8078
Diameter (D) Length (L) Design dimension (Z) Welding depth (P)	20 mm 47 mm 20 mm 15 mm
Description	Transition piece for the connection of PP-pipes 20 mm and form parts with euro cone and thread 3/4"

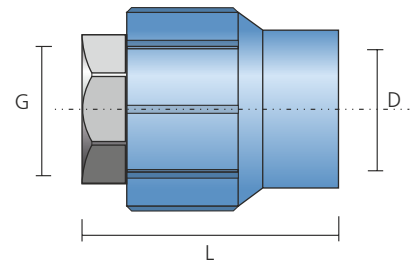


Ordering example:
Euro Cone Transition 20mm: F.EK.20

Other PP form parts are available on request.

F.VIM | Screw Connector with Inside Thread

Material	Polypropylene Random Copolymer, Type 3, DIN 8078, Brass nickel plated
Diameter (D) Length (L) Inside thread (G)	20 mm 44 mm 1/2", 3/4"
Description	Connector for welded connections plastic and metal pipes



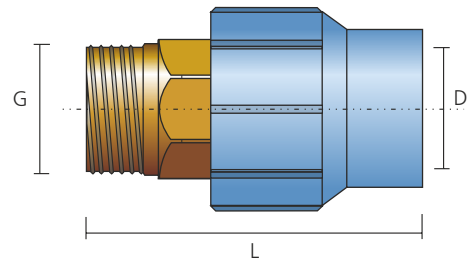
Ordering example:

Screw Connector 20mm with IG 1/2": F.VIM.2012

From DA 25 mm, the color shade may differ from the standard blue.

F.VAM | Screw Connector with Outside Thread

Material	Polypropylene Random Copolymer, Type 3, DIN 8078, Brass nickel plated
Diameter (D) Length (L) Outside thread (G)	20 mm 54 mm 1/2", 3/4"
Description	Connector for welded connections of plastic and metal pipes



Ordering example:

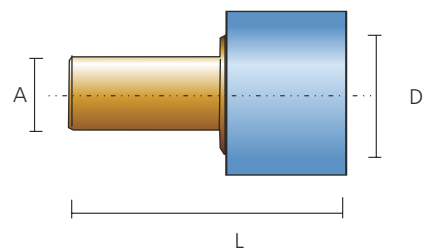
Screw Connector 20mm with AG 1/2": F.VAM.2012

From DA 25 mm, the color shade may differ from the standard blue.

Other PP form parts are available on request.

F.VP | Press- and Plug Connector

Material	Polypropylene Random Copolymer, Type 3, DIN 8078, Brass nickel plated
Diameter (D) Length (L) Diameter (A)	20 mm 47 mm 15 mm
Description	Transition piece PP for press and plug Connection



Ordering example:

Press- and Plug Connector 20mm: F.VP.20

Press connecting parts are available on request.

Other PP form parts are available on request.

F.KH.PP.20 | Ball Valve PP 20 mm

Material	Polypropylene Random Copolymer Typ 3, DIN 8078
Diameter (D)	20 mm
Length (L 1)	68 mm
Length (L 2)	5 mm
Height (H)	70 mm
Welding Depth (P)	16 mm
Description	Ball valve made of Polypropylene for Welding with PP-pipes

Ordering example:
Ball valve PP 20mm: F.KH.PP.20

The color shade may differ from the standard blue.

