

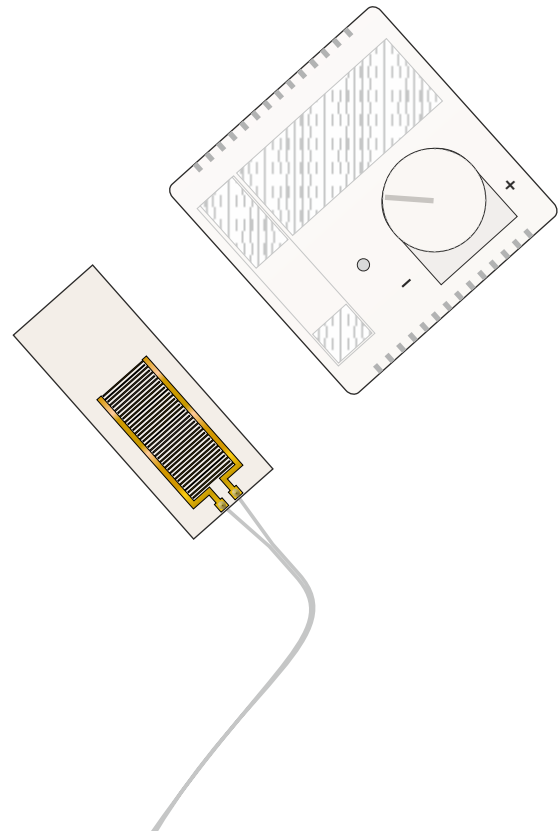
Well regulated: Measuring and control technology from BEKA

BEKA measuring and control technology includes all measuring and control components necessary for cooling and heating ceilings: dew point sensors, converters, room temperature controls and thermal actuating drives.

The listed products are supplied in short term from regular stock. Other components and other brands are available on request.

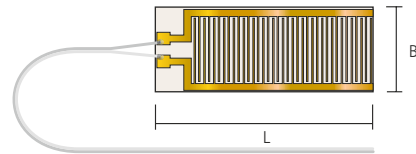
For a quick and safe installation BEKA offers connecting points for flow and return lines. These consist of a PP-transition connector both side, a ball faucet, a regulating valve or a tacosetter.

Regular incoming and outgoing goods inspections as well as a 15 year warranty on all BEKA products ensure the constant high quality.



M.TM.2 | Dew Point Sensor, Metal

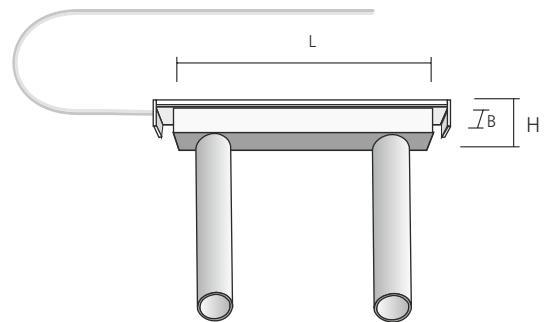
Material	Conductor plate, gold panel
Length (L) Width (B) Height (H) Connecting cable	32,5 mm 12 mm 1 mm 2-fases, length 10 m
Description	Dew point sensor with adhesive tape for metal ceiling panels



Ordering example:
Dew point sensor for metal ceiling panels: M.TM.2

M.TP.2 | Dew Point Sensor, Plaster

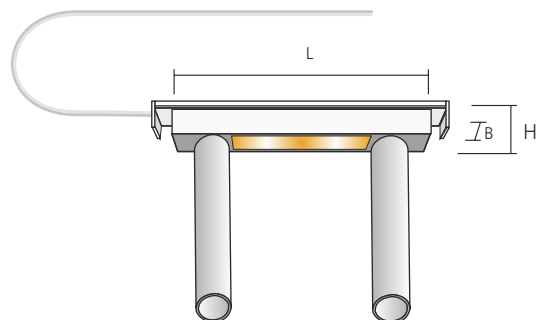
Material	Housing LLDPE Conduct panel gold-plated
Length (L) Width (B) Height (H) Connection cable	50 mm 22 mm 10 mm 2-fases, length 10 m
Description	Dew point sensor in plastic housing with sniffing-tubes, for plastering



Ordering example:
Dew Point Sensor for Plaster ceiling: M.TP.2

M.TG.2 | Dew Point Sensor, drybuild-plasterboards

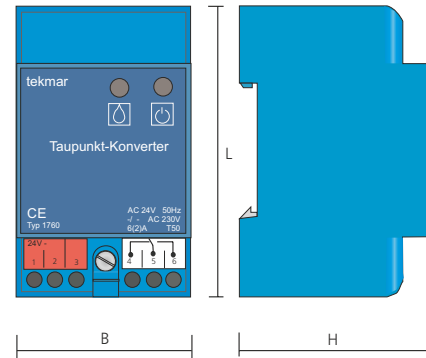
Material	Housing LLDPE Conduct panel gold-plated
Length (L) Width (B) Height (H) Connection cable	50 mm 22 mm 10 mm 2-fases, length 10 m
Description	Dew point sensor in plastic housing with sniffing-tubes, for drybuild-plasterboards



Ordering example:
Dew point sensor for drybuild-plasterboards: M.TG.2

M.K.2-T | Converter

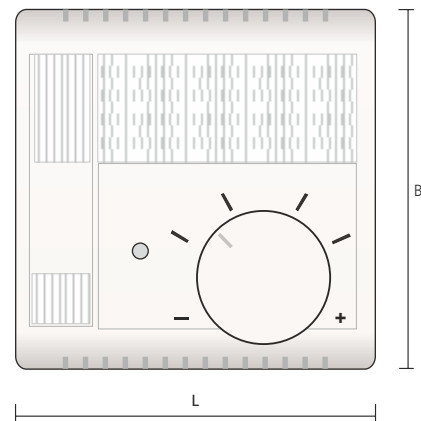
Material	Plastic housing
Length (L) Width (B) Height (H)	88 mm 50 mm 61 mm
Voltage input Switch contact load Input power Allowed ambient temperature	24 V AC 230 V, 6 A max. 1 VA 5°C - 40°C
Description	Converter for decoding of resistance of dew point sensor with potential free switch contact. Closed housing with combination foot for bus connection in the switch box. Up to 5 dew point sensors can be connected.



Ordering example:
Converter: M.K.2

M.R2/3 | Room Temperature Control

Material	Plastic housing
Length (L) Width (B) Height(H)	74 mm 74 mm 36 mm
Operating voltage Current input Regulating range Switch hysteresis Temperature sensor Switch output	24 V ~ ± 10%, 50-60 Hz 30 m A 5°C - 40°C 1 K internal NTC TRIAC, 24V ~/1A, short time to 2,5 A
Description	Room temperature control for heating and cooling in 2- and 3-conductor systems with set point adjuster and dew point guard. LED for operating state and dew point guard. Under-plaster installation



Ordering example:
Room Temperature Control: M.R2/3

M.TA.1 | Thermal Actuating Drive

Material	Plastic housing, metal connector
Diameter Height	52 mm 72,5 mm
Standard version Electrical connection Starting current max. Continuous current Input power Setting force	current less closed (change possible) 24 V 250 mA für max. 2 min. 0,013 A 3 W 125 N
Description	Thermal Actuating Drive for zone valve DN15 and DN20
Accessories	M.TAA.1 - Adapter 30 x 1,5 for MNG Valve M.TAA.2 - Adapter 30 x 1,5 for SBK valve

Ordering example:
Thermal Actuating Drive: M.TA.1

